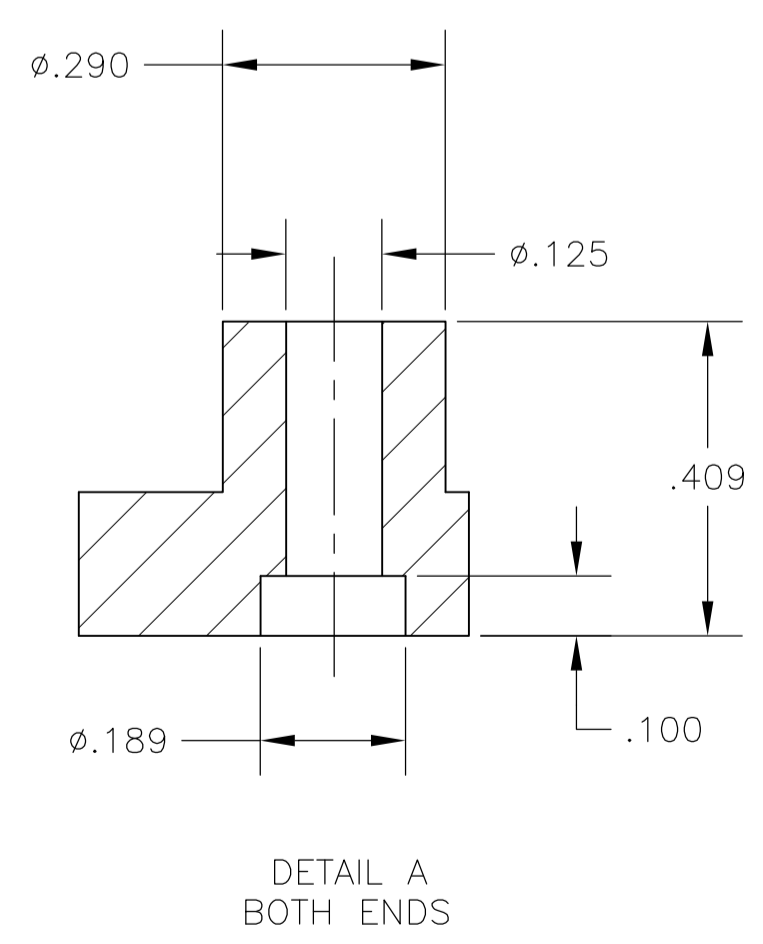
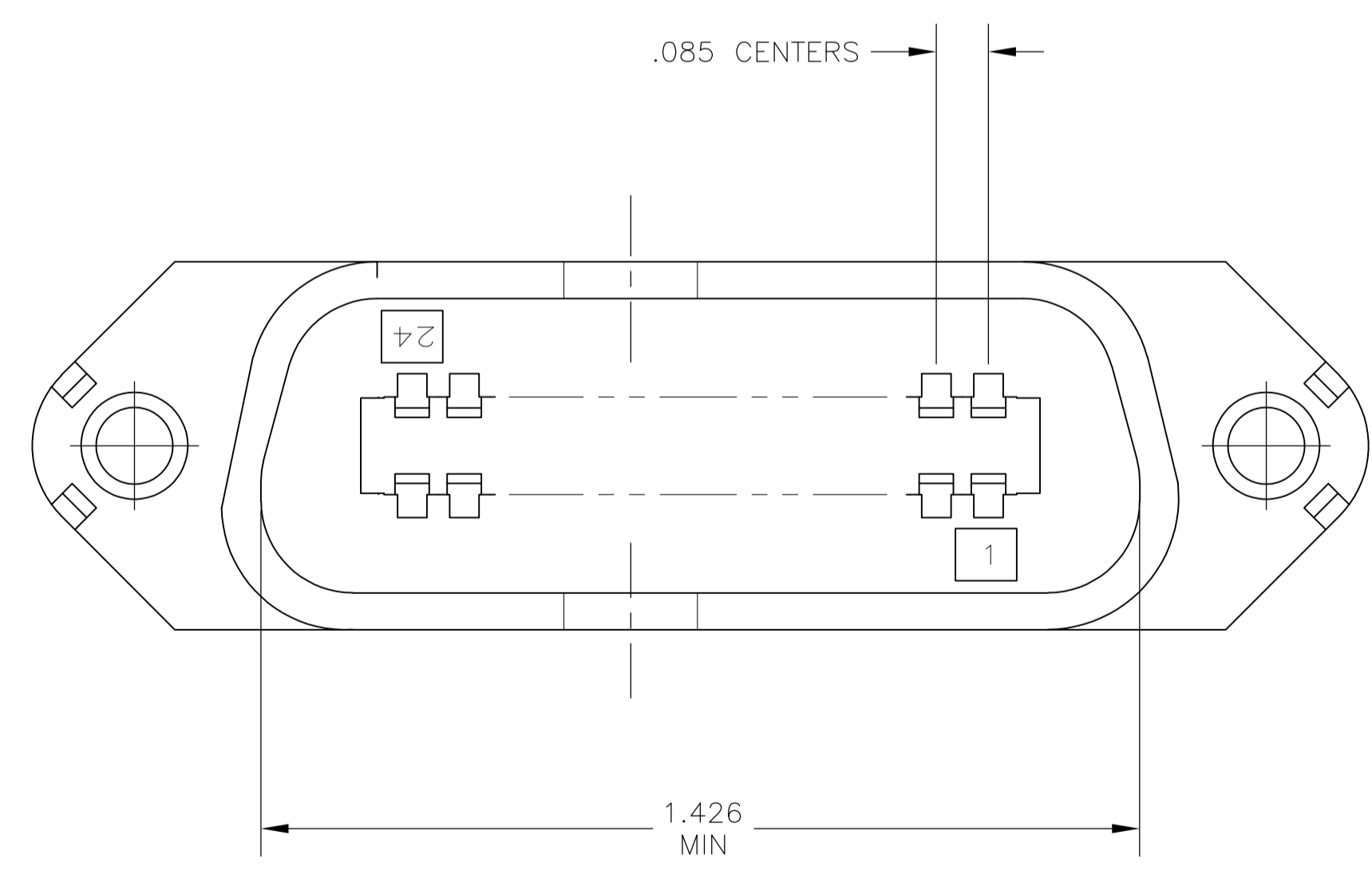
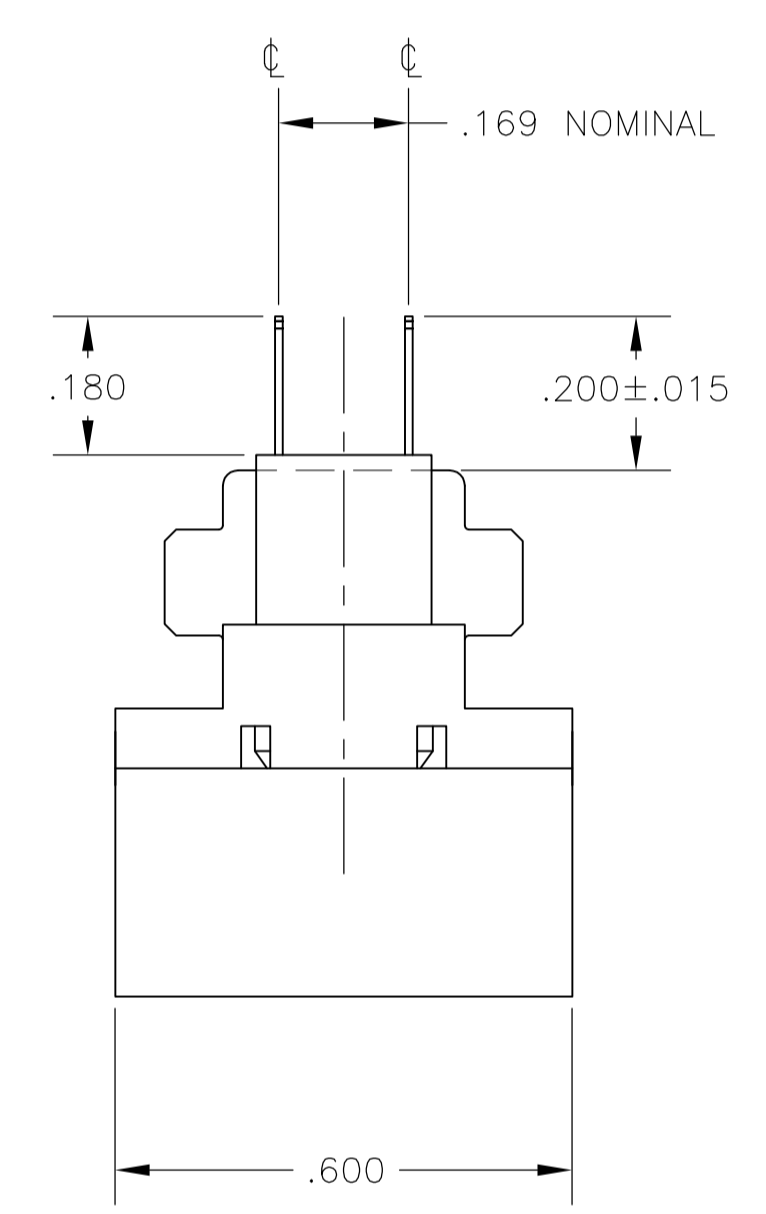
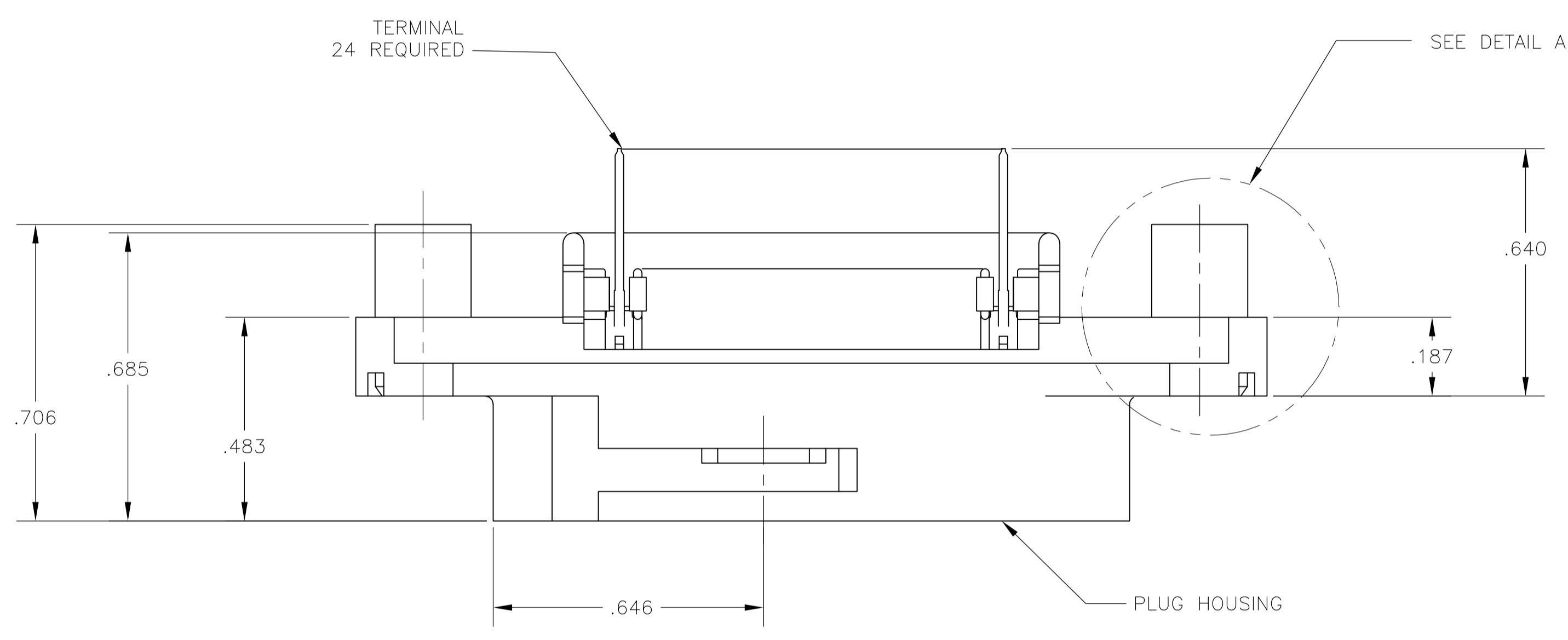
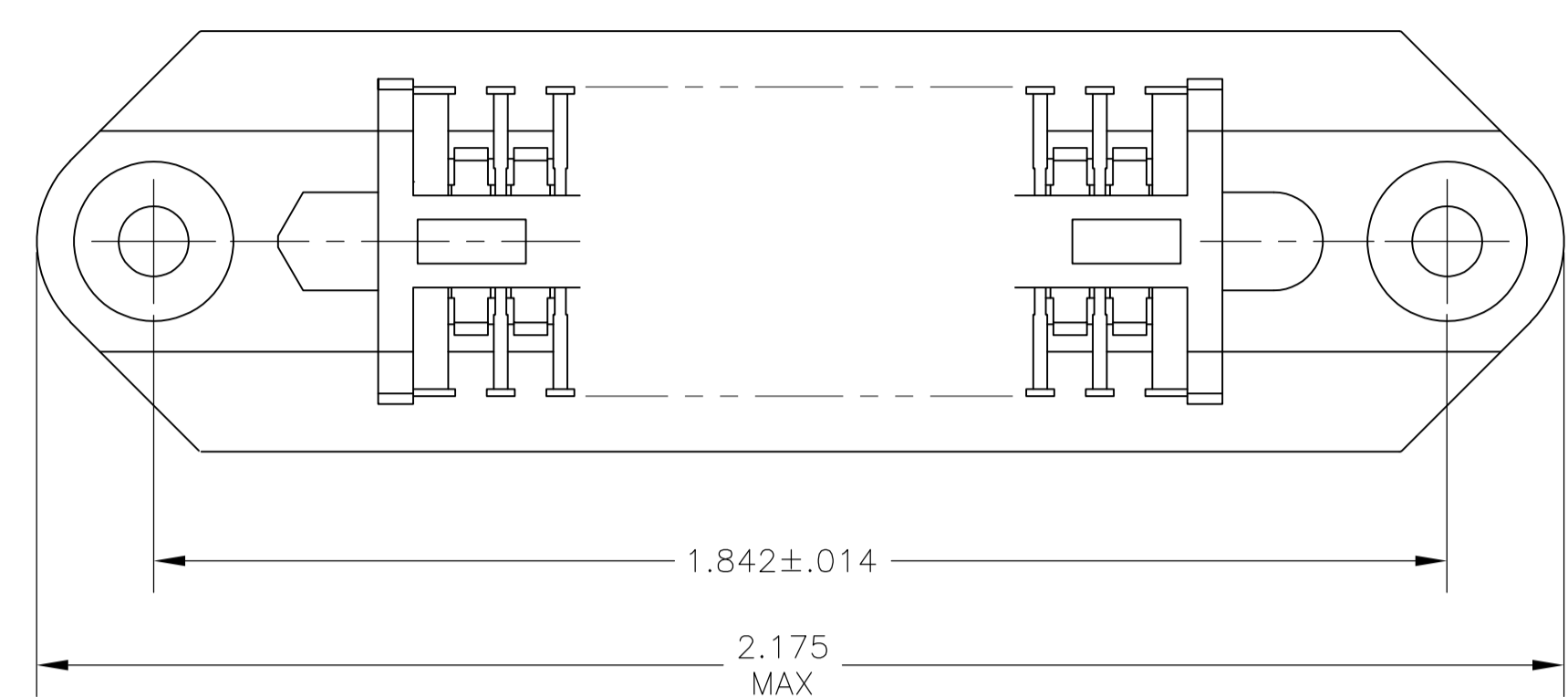


LOC		DIST		REVISIONS			
GP	00	REV	DATE	DESCRIPTION	DATE	BY	APPV
J		1	18APR08	REVISED PER ECO-08-007327		BM	WM



1. THE CONTACT SURFACES OF THE TERMINALS ARE COATED WITH LUBRICANT.
2. ALL DIMENSIONS SHOWN ARE FOR REFERENCE ONLY UNLESS OTHERWISE SPECIFIED.
3. MATERIAL: HOUSING - THERMOPLASTIC, BLACK.
 TERMINAL - PHOS BRONZE PLATED WITH EITHER .000030 MINIMUM GOLD PLATE OR GOLD FLASH OVER PALLADIUM NICKEL PLATE, .000030 MIN TOTAL ON MATING SURFACE.
 .000120 MINIMUM TIN-LEAD PLATE ON TAILS OVER .000050 MINIMUM NICKEL UNDERPLATE OVER ENTIRE TERMINAL.

552221-1
 PART NUMBER

THIS DRAWING IS A CONTROLLED DOCUMENT.		DIN Z. REAM 13/MAR/07	Tyco Electronics Corporation Harrisburg, PA 17105-3608	
DIMENSIONS: INCHES		CHK: W. MILLHIMES 13/MAR/07	NAME: PLUG ASSY, 24 POSN, VERT MTG WITH STANDOFFS CHAMP-LOK	
TOLERANCES UNLESS OTHERWISE SPECIFIED:		APVD: W. MILLHIMES 13/MAR/07	RESTRICTED TO: -	
0. PLC ± -	1. PLC ± -	PRODUCT SPEC	SIZE: A1	CAGE CODE: 00779
2. PLC ± -	3. PLC ± -	APPLICATION SPEC	DRAWING NO: 552221	REV: -
4. PLC ± -	ANGLES ± -	WEIGHT: -	CUSTOMER DRAWING	SCALE: 4:1
MATERIAL: 3		FINISH: 3		SHEET: 1 OF 1